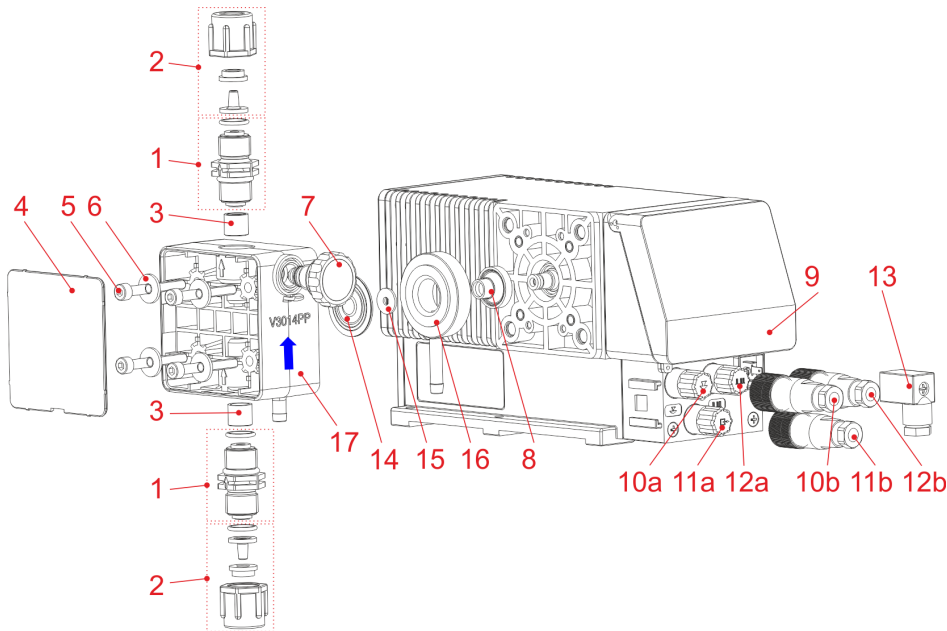


### Spare parts:

Metering pump EMP II, E60, 1.4 l/h (for 141277, 141278)  
2.5 l/h (for 141279)

148070  
148170



Pos	Article	Material No.
1	SDV PPEPKE 000 G 3/8 - G 3/8 – 99 Suction/pressure valve, PP/EPDM	248116
2	Connection set 3/8" PP for hose 4/6, 6/8, 6/12 mm	248492
3	Valve cartridge, V3 EMP II EPKEPP	248435
4	Cover plate, PK-PP	54000188
5	Hexagon socket screw, M 5 x 40, DIN 912, V2A	413031026
6	Washer, B15 x 5.3 x 1.6, DIN9021, ISO7093, V2A	413501720
7	Venting screw, PP/EPDM	243078
8	Bellow	34800132
9	Transparent enclosure cover	34800120
10a	Dummy plug, empty signal input	248186
11a	Cover cap, control output	34800117
12a	Dummy plug, control input	248187
10b	Plug 4-poles, empty signal input	418463115
11b	Plug 4-poles, control output	418463117
12b	Plug 5-poles, control input	418463118
13	Wiring outlet 3-poles, 2 m	34860001

		type V3014	type V3025
14	Diaphragm	34800134	34800253
15	Supporting disk	34000158	--
16	Intermediate plate	34800133	34800150
17	Pump head PP	34800293	34800294



Article	Material-No.
<b>Contact water meter</b> DN 20, G 1, 1 l / pulse (for 141260)	419901047
<b>Contact water meter</b> DN 25, G 1 ¼, 1 l / pulse (for 141274)	419901237
<b>Contact water meter</b> DN 40, G 2, 2 l / pulse (for 141275)	419901238



**Contact water meter screw connection**

Material:	Brass	
for contact water meter	DN 20 (G 1 <sub>i</sub> – R ¾ <sub>4a</sub> )	415506343
	DN 25 (G 1 ¼ <sub>4i</sub> – R 1 <sub>a</sub> )	415506344
	DN 40 (G 2 <sub>i</sub> – R 1 ½ <sub>2a</sub> )	415506349

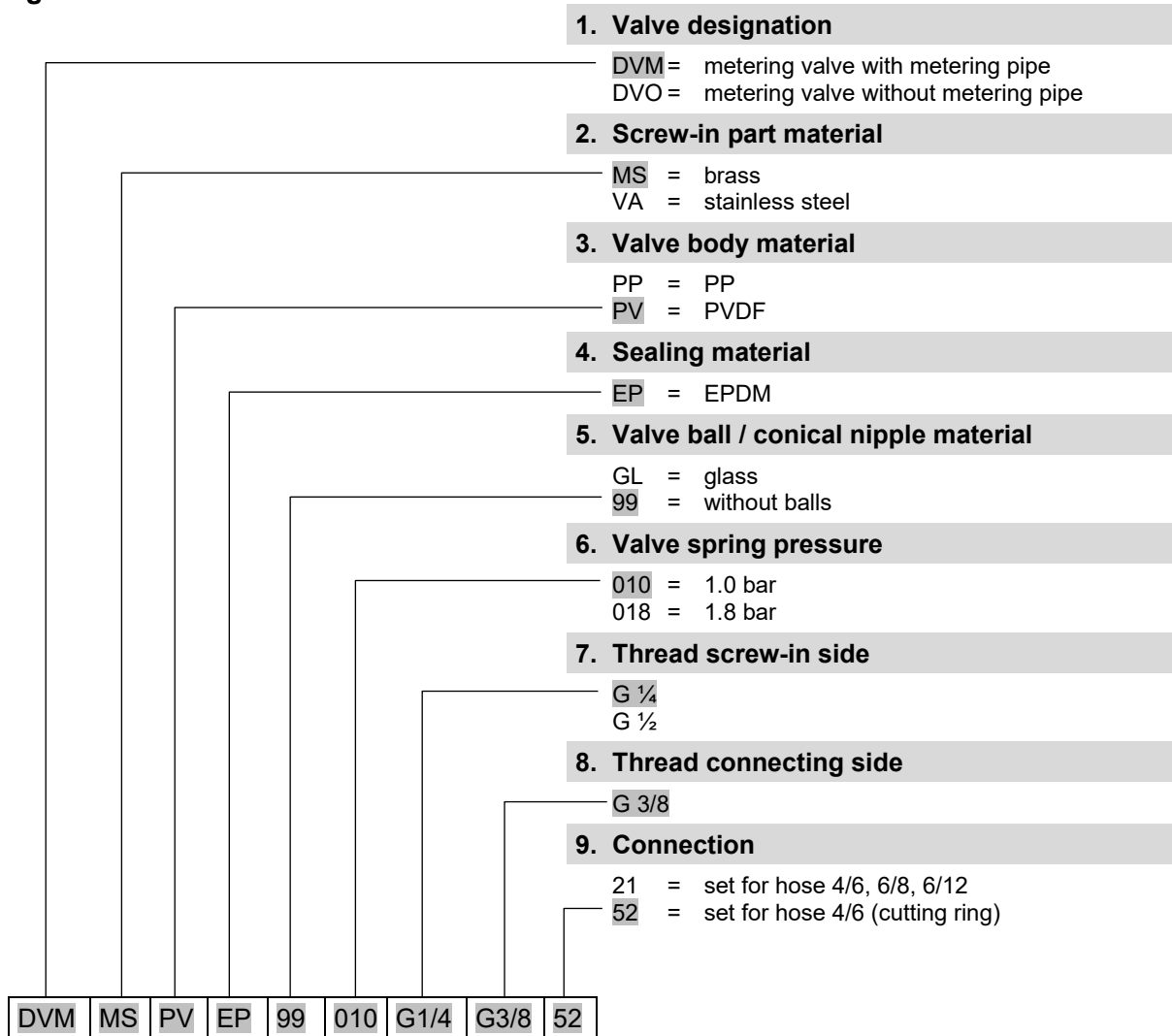


**Contact water meter screw connection  
with hole R 1/4 for metering valve**

Material:	Brass	
for contact water meter	DN 20 (G 1 <sub>i</sub> – R ¾ <sub>4a</sub> )	415506331
	DN 25 (G 1 ¼ <sub>4i</sub> – R 1 <sub>a</sub> )	415506332
	DN 40 (G 2 <sub>i</sub> – R 1 ½ <sub>2a</sub> )	415506334

	Article	Material-No.	
	<b>Mounting bracket</b> (for 141277) Mounting bracket MS Washer 5.5 x 10 x 1, V2A Hexagon nut M5, V2A	34800307 413500360 413200007	
	<b>Pipe clamps</b> (for 141278) Pipe clamp D40 – 45 mm, M8, V2A Pipe clamp D48 – 52 mm, M8, V2A	415014026 415014027	
		<b>Pipe clamps</b> (for 141279) Pipe clamp D48 – 52 mm, M8, V2A Spacer bolt	415014027 413502501
	<b>Brackets</b> Mounting / Wall bracket (for 141277) Mounting plate (for 141278, 141279), VA 1.4301	34800306 34127701	
	Wall bracket (for EMP II pump), PP	207002	

**Metering valves - code**

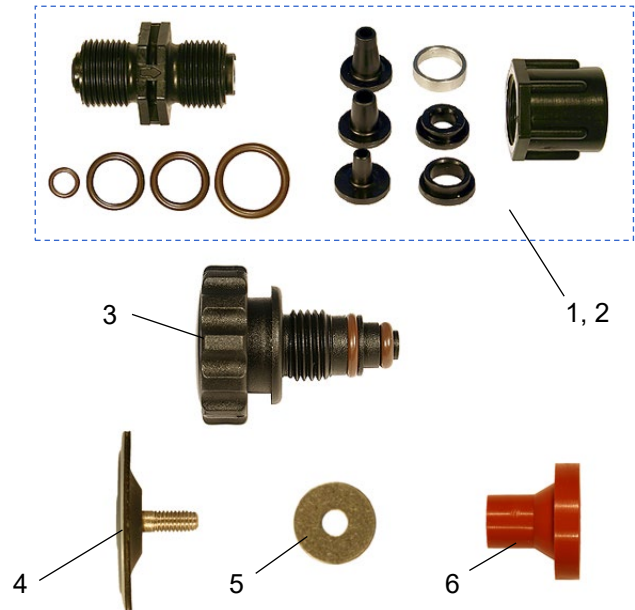


<b>Article</b>	<b>Material-No.</b>
DVM MS PV EP 99 010 G 1/4 – G 3/8 – 52 (for 141277)	243016
DVM VA PP EP GL 018 G 1/4 – G 3/8 – 21 (for 141277 and 141278)	248053

**Set of wearing parts (complete)**

consisting of 1 piece each:

- Suction valve with hose connection material (1)
- Pressure valve with hose connection material (2)
- Venting screw (3)
- Diaphragms (4)
- Supporting ring (5, not for type V3025)
- Bellow (6)



Article	Code	Material-No.
Wearing part set	EMP II V3014PPEPKE	248462
	EMP II V3025PPEPKE	248471

