

- For quantity-proportional metering in water post-treatment technology, tested by DVGW (German assoc. of gas and water experts)
- With contact water meter as proportional pulse generator
- With silent, electric motor driven diaphragm pump
- Benefits of the EMP E60 pump
 - Graphic display with user-friendly menu navigation
 - Metering monitoring via stroke signal output
 - Extensible functions via access code (pulse multiplication, pulse division, registration of operating and consumption data, calibration function)



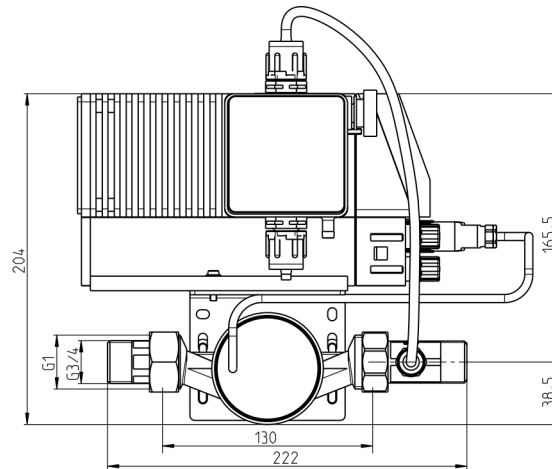
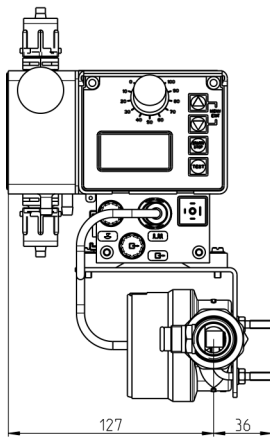
The ELADOS® EMP compact metering devices are appliances designed for the posttreatment of potable water. They consist of contact water meter including metering valve and metering pump. The concentration needed may be selected via the metering pumps mechanical stroke adjustment

function. By coordinating the components of the EMP-program it is possible to combine compact metering devices for several applications, thus reaching delivery capacities between 0.2 l/h and over 750 l/h with nominal diameters (DN) between 20 and 150.

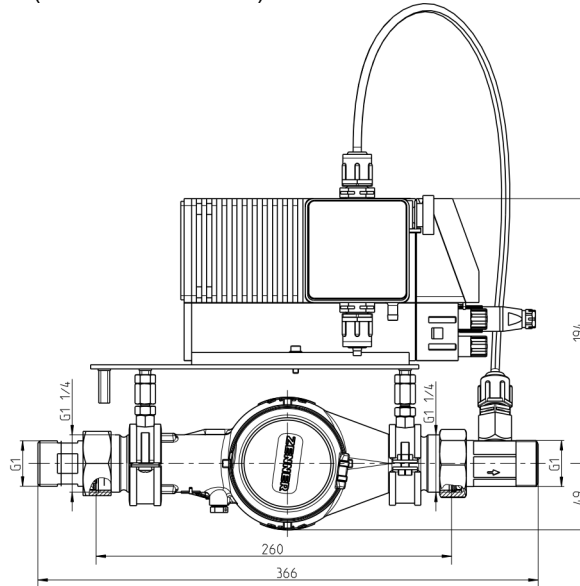
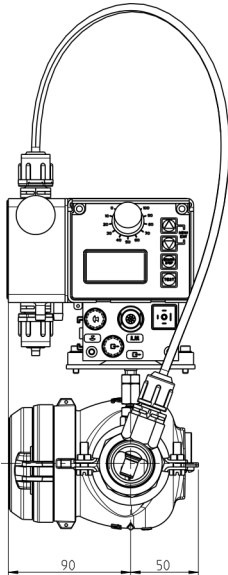
Technical data:

Material no.	141277	141278	141279
Nominal diameter (mm):	DN 20 / R 3/4	DN 25 / R 1	DN 40 R 1½
Nominal flow (m³/h):	2,5	6	10
Pump metering capacity (l/h):	1,4	1,4	2,5
Max. metering capacity. (cm³/pulse):	0,21	0,21	0,39
Max. metering back pressure (bar):	10	10	10
Pulse interval (l/pulse):	1	1	2
Max. concentration (ppm):	100	100	100
Connection thread G:	R 1	R 1 1/4	R 2
Electric connection (V/Hz):	230 (50/60)	230 (50/60)	230 (50/60)
Power input (W):	10,4	10,4	10,4
Protection type:	IP 65	IP 65	IP 65

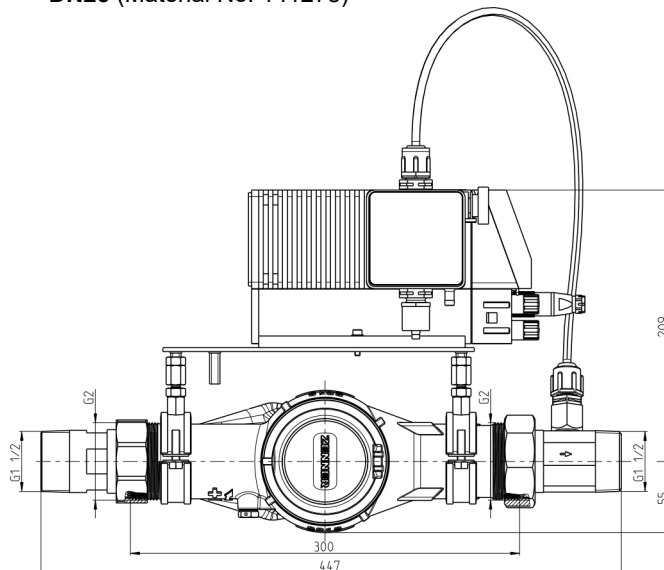
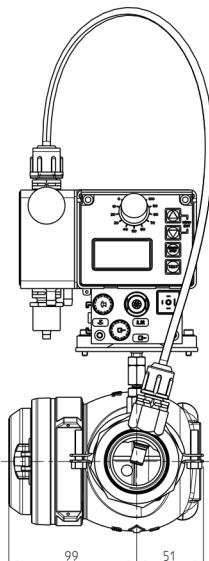
Dimensions:



DN20 (Material No. 141277)



DN25 (Material No. 141278)



DN40 (Material No. 141279)



Material No.	141277	141278	141279
Nominal width (mm):	DN 20 / R 3/4	DN 25 / R 1	DN 40 R 1½
Length L (mm) without screw connection:	130	260	300
Length L1 (mm) (overall length)	222	365	447
Connection-thread G	R 1	R 1 1/4	R 2
Connection-thread G1	R 3/4	R 1	R 1 1/2

**Ordering data:****Article****Material No.**

ELADOS® EMP Compact

E60 V3014 PP 10 EP KE PP DN20

141277

E60 V3014 PP 10 EP KE PP DN25

141278

E60 V3025 PP 10 EP KE PP DN40

141279

Extent of supply:

1 contact compact water-meter with screw connection and ready-assembled metering valve, assembled metering pump with connection cable, fixing brackets for water-meter, ready-assembled metering line (approx. 500 mm length) including connecting elements and O-ring seals, 2 m metering line (PE) for use in case of on-wall installation, operating instructions.