

## Complete System Review

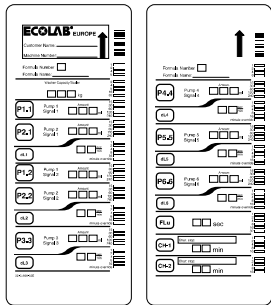
Pump Module



Controller



Formula Card



Front

Rear

Machine Interface



## Step 1—Pump Module Installation

1. Locate the pump module close to your product containers, and close to AC power. A vertical wall behind the washer at a 1.2 to 1.5 meter height is usually suitable.
2. Install the Pump Module wall mount bracket with hardware provided.
3. Hang the pump module on wall mount bracket, pressing downwards until the Pump Module locks in place.
4. Connect the power cable to an appropriate wall outlet.

**NOTE:** Steps 5 - 7 apply only to flush installations.

5. Cut the tie-wrap to remove the Flush Jumper connector. Remove (and retain for future use) the Flush Jumper from the flush connector on the underside of the Pump Module.
6. Connect Flush Manifold cable to flush connector.
7. Connect Low Level Power wires from flush alarm system to the Low Level Power output connectors. (24VAC 400ma constant power source.)

**NOTE:** The Pump Module should be located close to your product containers and placed such that the output tubing runs are short. The total input and output tubing runs should be kept to less than 18 meters or tubing durability will be affected. The Pump Module has a resettable circuit breaker on the left bottom of the cabinet.

Pump Module Mounting Bracket



Flush Connector Detail



Flush Connector  
Low Level Power Connector

## Step 2—Machine Interface Installation

**WARNING:** Disconnect power to the wash machine before proceeding.

### Mounting Machine Interface

1. Fasten Machine Interface to washer chassis within the wiring area. Keep Machine Interface and communication cable away from high voltage wires and relays. Never parallel the cable with high voltage lines.
- NOTE:** The Machine Interface may be externally mounted to an external electrical junction box. Two mounting screw holes are present for securing to the junction box. Electrical wiring junctions for supply triggers and Chart Stop are to be done inside the junction box prior to securing the Machine Interface.
2. Route the 3.05 meter communication cable into the washer signal wiring area through a rear knockout.
3. Plug the 3.05 meter communication cable into the Machine Interface Module.
4. Bundle excess cable outside the washer rear. The other end of this cable is plugged into the "J2/MI" connector on the Controller.

### Supply Trigger Wiring

1. Identify the washer supply signals. Check with technical service or with the washer manufacturer if you are not sure of the connections.
2. Use wire nuts or butt connectors to connect the signal wires to the Machine Interface wires.

Use these color codes for equivalent pump numbers:

Supply Signal	Signal	Common	Pump(s)
Signal 1	Black wire	White/Black	1 & 2 (amounts 1)
Signal 2	Brown wire	White/Brown	1 & 2 (amounts 2)
Signal 3	Red wire	White/Red	3
Signal 4	Orange wire	White/Orange	4
Signal 5	Yellow wire	White/Yellow	5
Signal 6	Blue wire	White/Blue	6



The two Grey wires provide the Chart Stop connection.

**NOTES:** Tape off or wire nut unused wires. If the washer has a single common, wire nut all of the signal common wires that will be used together.

If one or more pump signals are not used, they do not need to be connected.

If you are triggering more than one pump from a signal, then connect all of the Machine Interface pump signal wires from those pumps to the signal.

Each of the 6 LEDs on the Machine Interface will light when it's valid signal is received.

## Step 3—Controller Installation

1. Find a suitable location for the Controller either on or close to the washer. The keypad should be readily accessible and the display easily visible to the user. Use the velcro mounting kit for installation on vertical surfaces. Use the optional (not provided) horizontal mounting base for mounting on horizontal surfaces.
2. Connect communication cables to Controller rear. Connector marked "J1/PI" goes to Pump Module, and connector marked "J2/MI" goes to the Machine Interface. Secure cables to Controller with tie wraps.
3. Clean the surface of the vertical mounting location with alcohol or similar to provide best adhesion of the velcro adhesive.
4. Remove velcro adhesive backing paper and affix the mounting plate to the surface.
5. Secure Controller to mounting plate with screws provided.

Controller Velcro Mounting Plate



Controller



Velcro Side



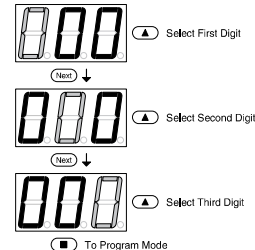
Controller Side

## Step 4—Formula Card Programming

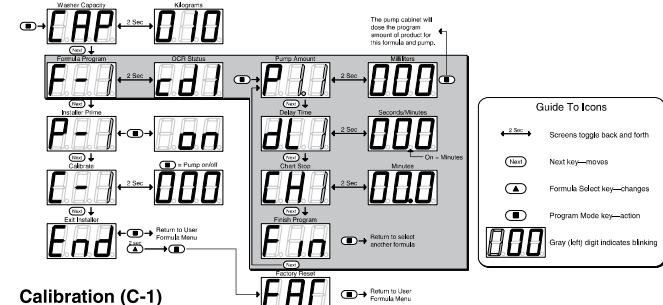
- Refer to the Formula Card instruction sheet, included with every Ecobrite system.
1. Input Installer Password (factory setting is 123) to access Program Mode.
  2. Swipe the Formula Card face up, from right to left, in the slot on the Controller face beginning with the card firmly seated against the slot from around the middle-right side of the controller.

### Input Installer Password

Press & Hold 2 Seconds



## Step 5—Keypad/Controller Review and Calibration



### Calibration (C-1)

1. Choose the pump number you wish to calibrate (Formula Select key).
2. Prepare to catch 250 mls of product.
3. Press the Program Mode key to start the selected pump.
4. Press the Program Mode key to stop the pump when 250 mls of product has been dispensed.
5. Repeat for all installed pumps.